

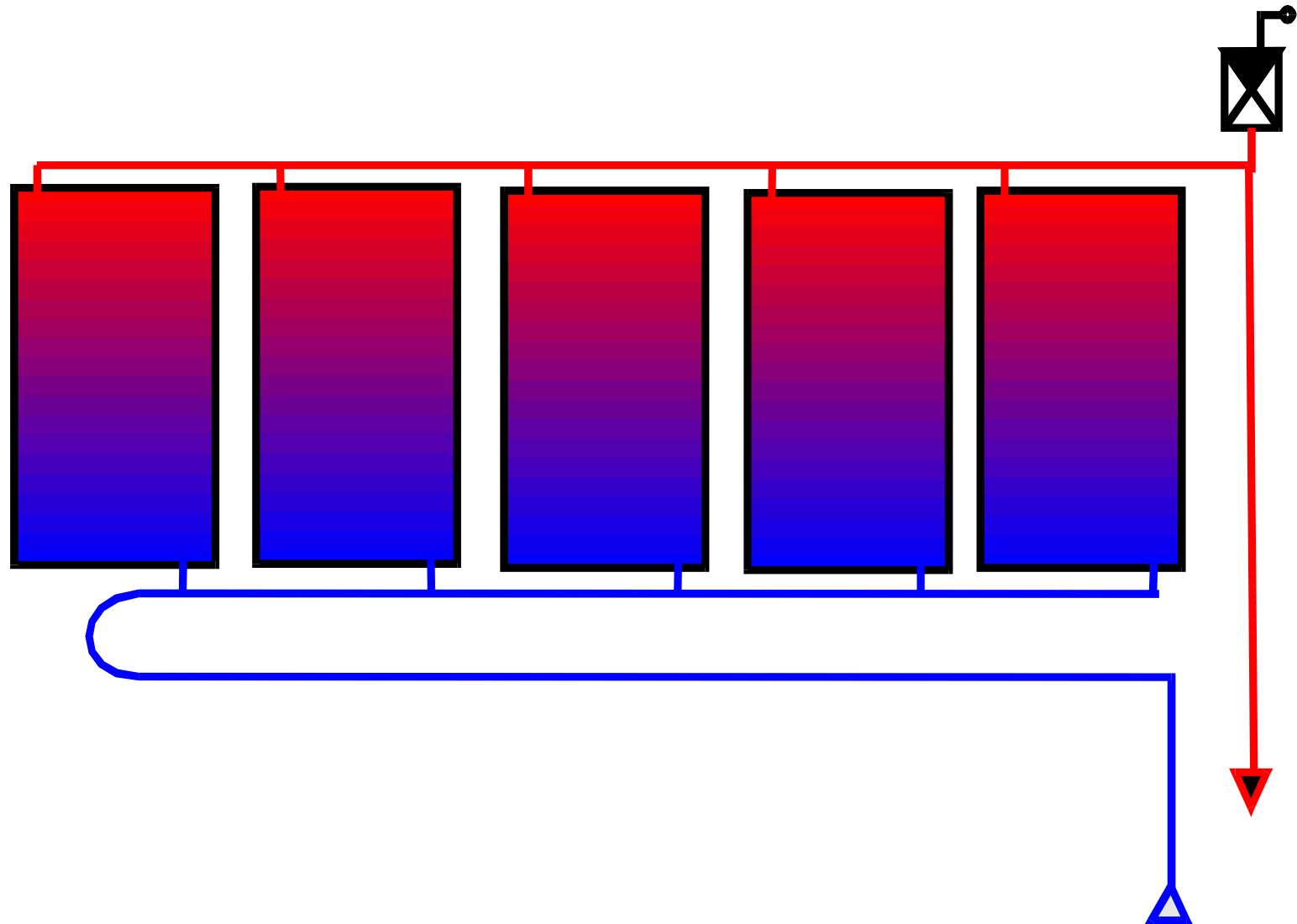


COLLECTOR HYDRAULICS DRAFT

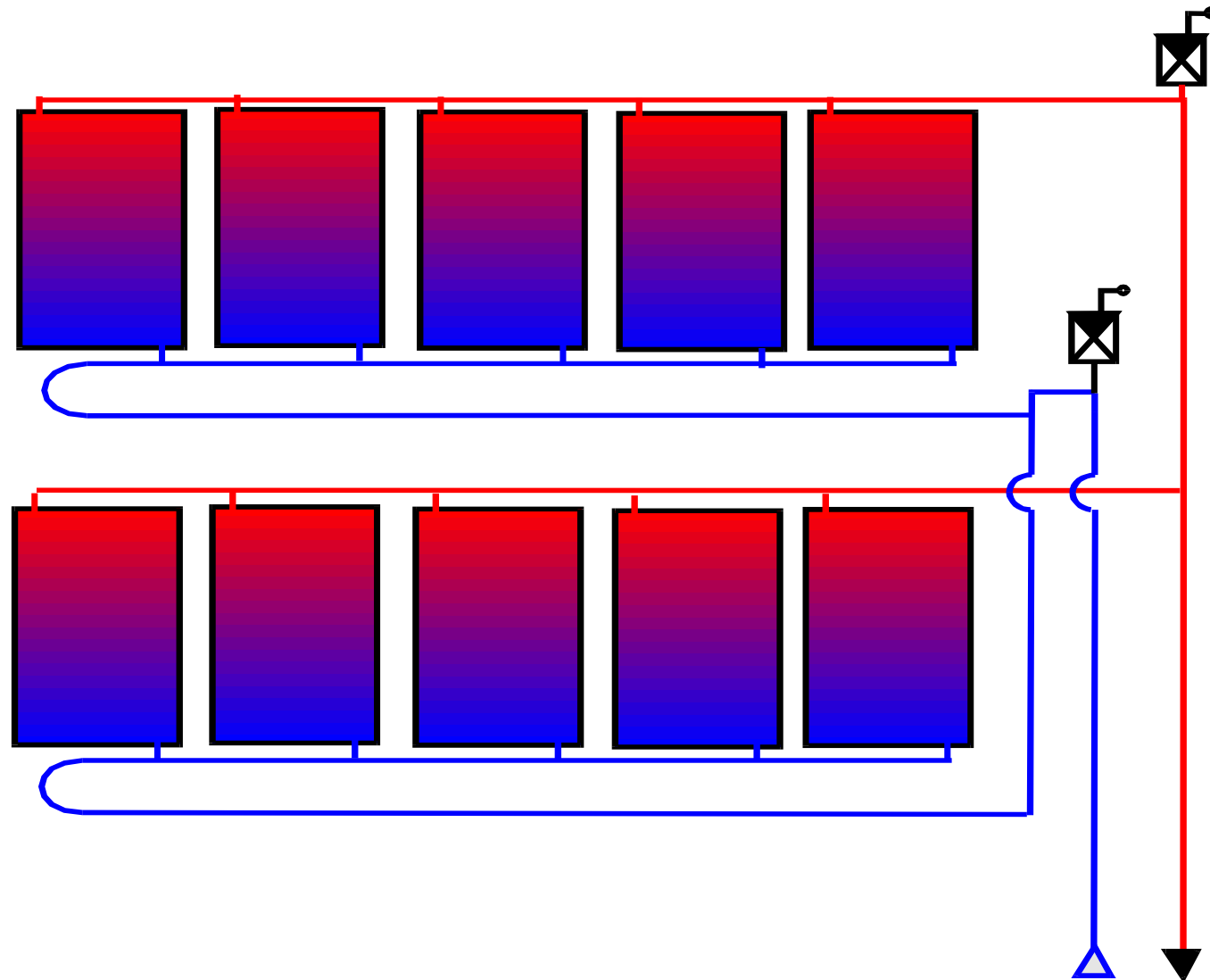
Werner Weiss

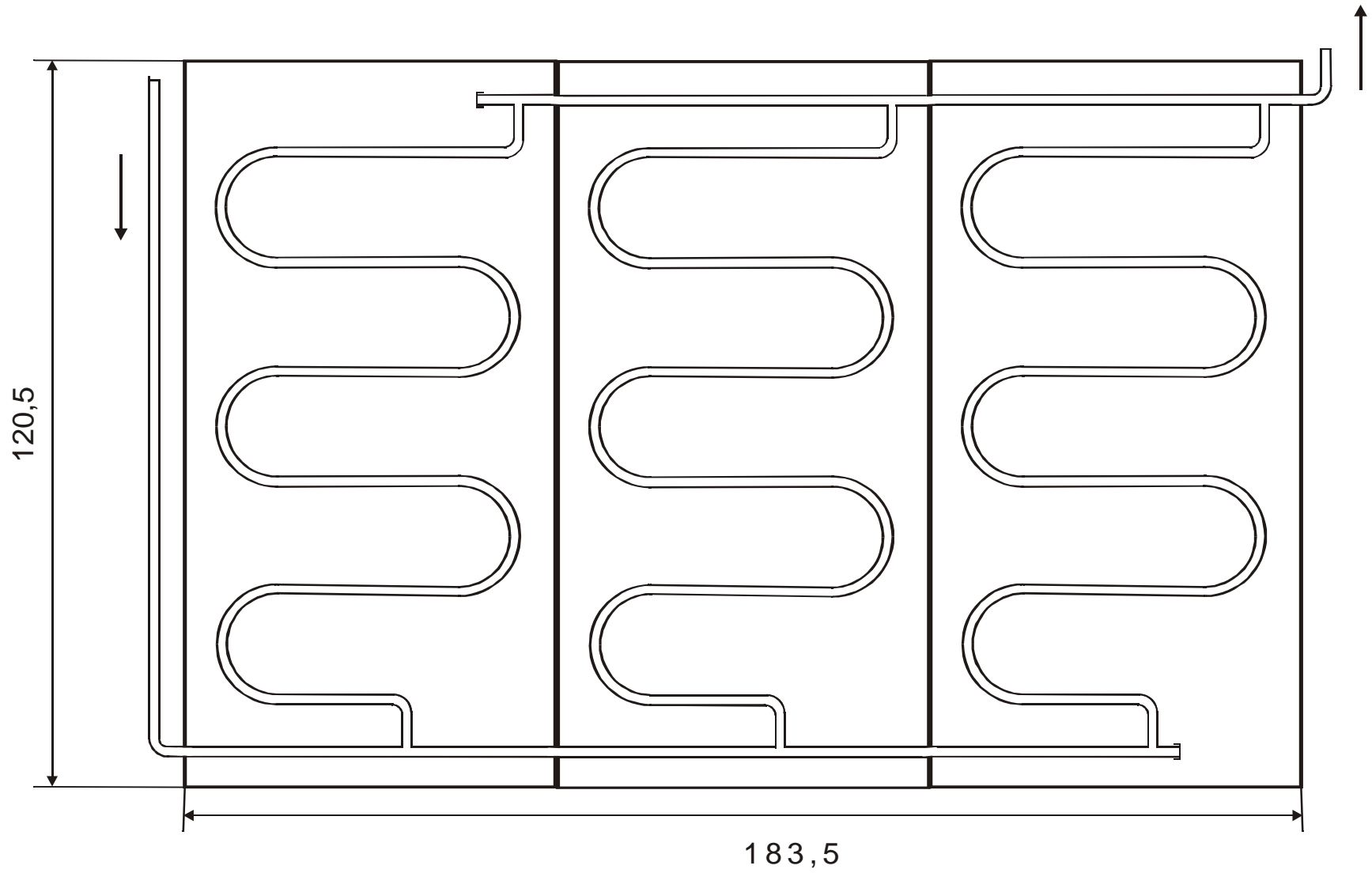
AEE - Institute for Sustainable Technologies (AEE INTEC)
A-8200 Gleisdorf, Feldgasse 19
AUSTRIA

Hydraulic connection of collectors

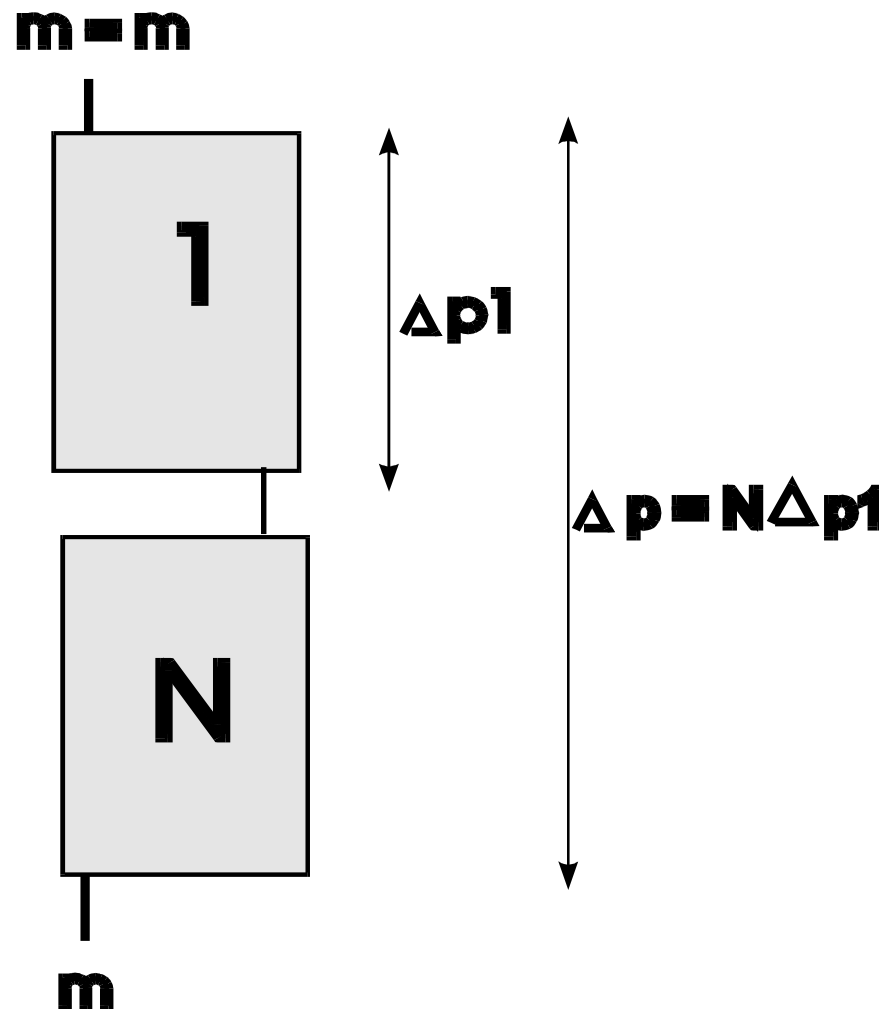


Hydraulic connection of collectors

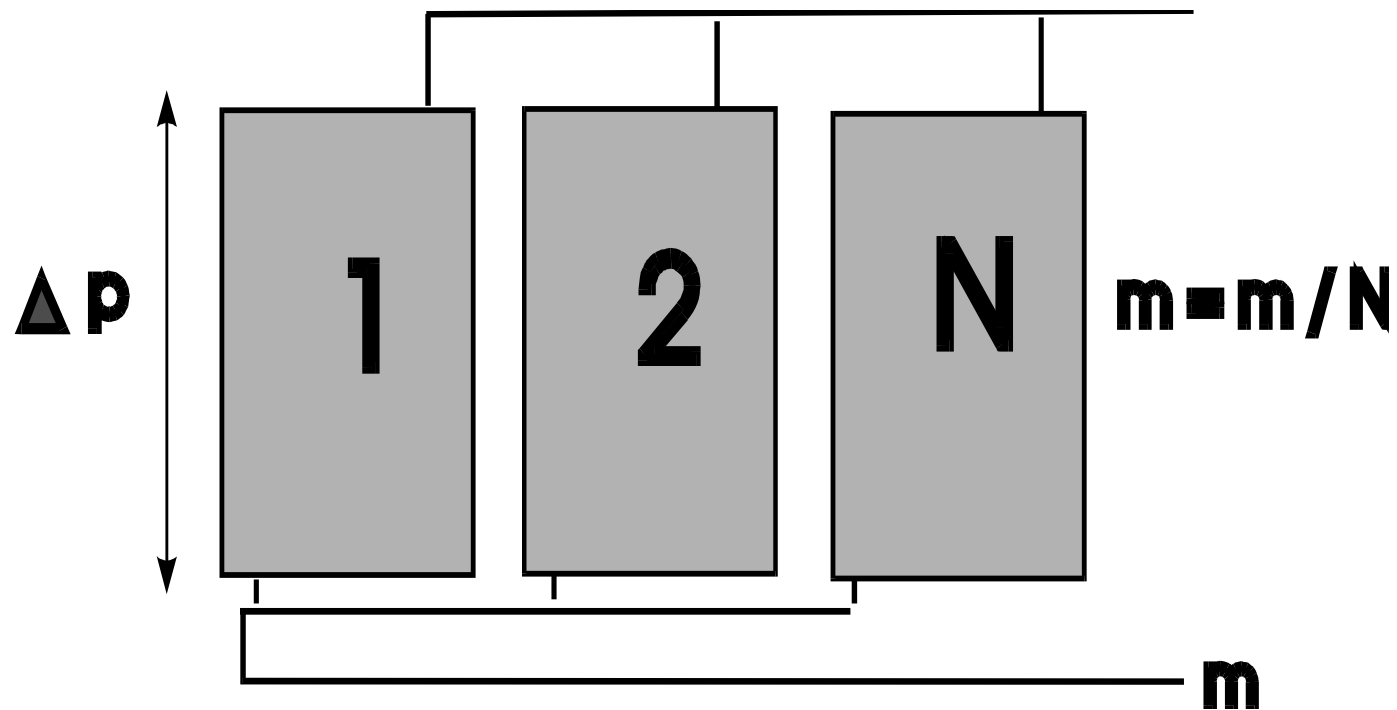




Pressure drop



Pressure drop



THE HYDRAULIC CONNECTION OF THE COLLECTORS

